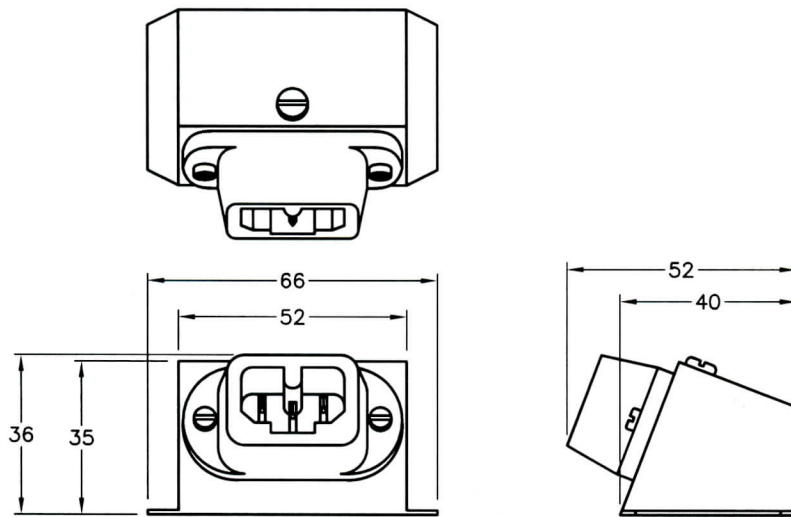


APPROVALS

CSA OVE SEMKO SEV VDE

ALL DIMENSIONS ARE IN MILLIMETERS



SPECIFICATIONS

TEMPERATURE RATING	155°C (311°F)
CURRENT RATING	10 AMPERE
VOLTAGE RATING	250 VOLT AC
CONTACTS	2 POLE 3 WIRE GROUNDING
STANDARD	DIN 49458
MATERIALS	-PLASTIC BODY -METAL BOX
REMARKS	-ANGLE TYPE BOX
NOTE	SPECIFICATIONS SUBJECT TO CHANGE WITHOUT NOTICE

**National Plastic Heater
Sensor and Control Inc.**

TITLE			
HEATER INLET WITH BOX, ANGLE TYPE			
SCALE	DATE	PART NO.	REV
NONE	10-02-2006	111-10225	—

**Ph. 1-905-859-8232
Fax. 1-905-859-4691**